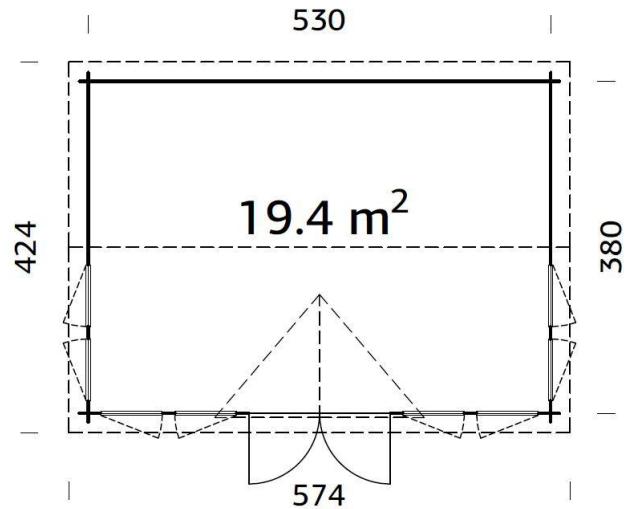


Hamptons



FULL SPECIFICATION

	Wall Thickness	44mm		Roof Board	19mm
	Wall Measurements	530 x 380cm		Floor Boards	19mm
	Log Measurements	550 x 400cm		Type Door/Window	Garden
	Wall Height	222cm		Double Real Glass 3-6-3	
	Total Height	363cm		Door, Opening Measurements	151 x 175cm
	Area	19.4m ²		Window, Opening Measurements	60 x 111cm
	Volume	55.8m ³		Pack Size	6 x 1.2 x 1m
	Roof Overhang	23cm		Pack Weight	1745kg
	Roof Area / Roof Gradient	29.6m ² / 35.2°			

FLEXIBLE FINANCE OPTIONS AVAILABLE

