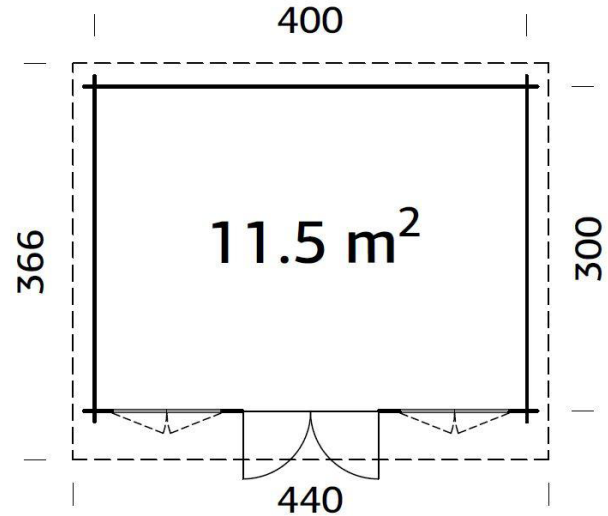


# Cleveland



## FULL SPECIFICATION

	Wall Thickness	34mm		Roof Board	19mm
	Wall Measurements	400 x 300cm		Floor Boards	19mm
	Log Measurements	420 x 320cm		Type Door/Window	Garden
	Wall Height	211cm		Toughened Glass	
	Total Height	234cm		Door, Opening Measurements	114 x 186cm
	Area	11.5m <sup>2</sup>		Window, Opening Measurements	90 x 123cm
	Volume	25.6m <sup>3</sup>		Pack Size	4.5 x 1.2 x 0.7m
	Roof Overhang	45cm		Pack Weight	982kg
	Roof Area / Roof Gradient	16.1m <sup>2</sup> / 4.4°			

**FLEXIBLE FINANCE OPTIONS AVAILABLE**

